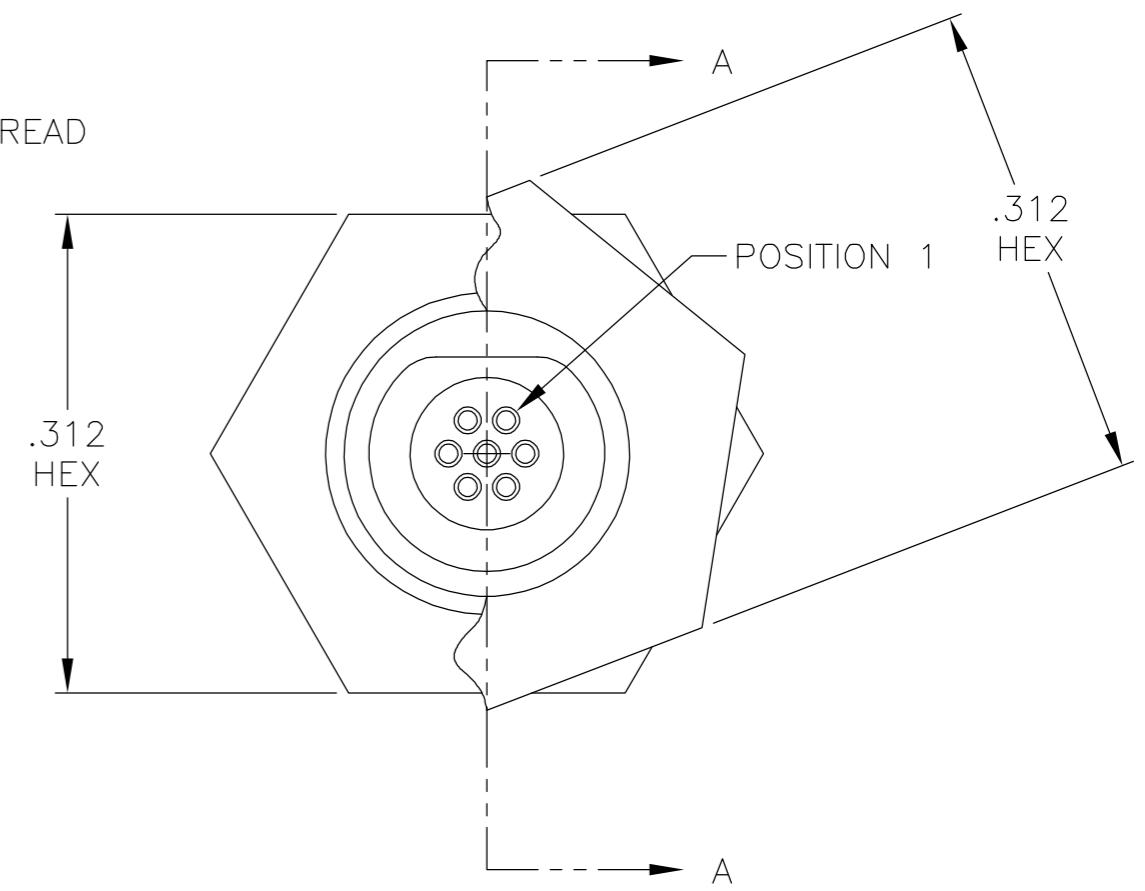
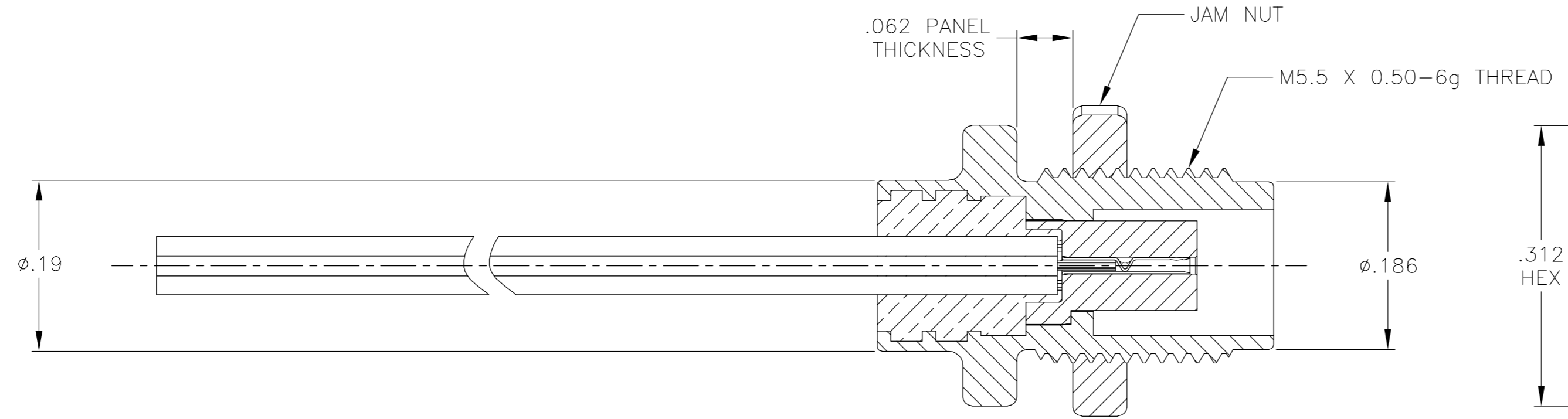
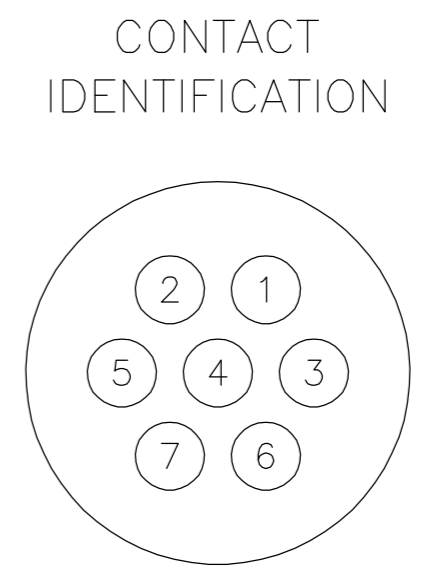
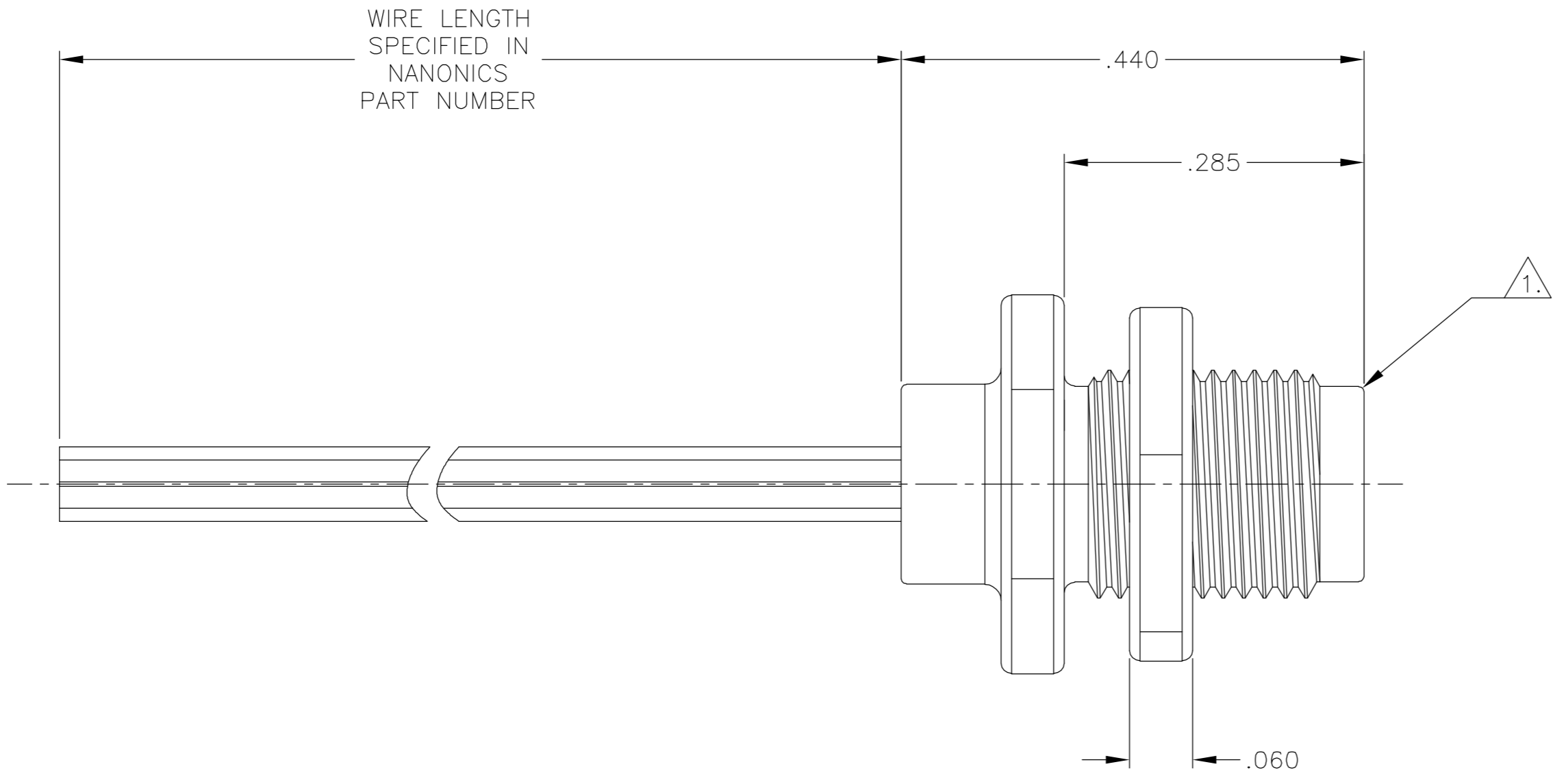


THIS DRAWING IS UNPUBLISHED. RELEASED FOR PUBLICATION
 © COPYRIGHT BY TYCO ELECTRONICS CORPORATION. ALL RIGHTS RESERVED.

LOC	DIST	REVISIONS					
DF	DO	P	LTR	DESCRIPTION	DATE	DWN	APVD
		L		UPDATE PER 0H2Y-0164-04	05-12-04	JDM	MKS



SECTION A-A

1. CONNECTOR BODY AND JAM NUT ARE 6061-T6 ALUMINUM, GOLD PLATED PER MIL-G-45204
 INSULATOR MATERIAL IS LIQUID CRYSTAL POLYMER (LCP) PER MIL-M-24519 OR PER ASTM D5138

- 2. WIRE TERMINATION: 28 AWG SOLID, 30 AWG STRANDED (STANDARD) WIRE OR SMALLER
- 3. PREVIOUS NANONICS DRAWING NUMBER C66002

THIS DRAWING IS A CONTROLLED DOCUMENT.		DWN D. RYAN 04-21-97	 Tyco Electronics Corporation Harrisburg, PA 17105																		
DIMENSIONS: INCHES		CHK E. PAULUS 08-29-97																			
TOLERANCES UNLESS OTHERWISE SPECIFIED:		APVD M. STORRY 04-24-02	NAME RECEPTACLE ASSEMBLY, 7 POSITION, CIRCULAR, PANEL MOUNT, NCG SERIES																		
<table border="1"> <tr><td>0 PLC</td><td>±</td><td>-</td></tr> <tr><td>1 PLC</td><td>±</td><td>-</td></tr> <tr><td>2 PLC</td><td>±</td><td>.010</td></tr> <tr><td>3 PLC</td><td>±</td><td>.005</td></tr> <tr><td>4 PLC</td><td>±</td><td>-</td></tr> <tr><td>ANGLES</td><td>±</td><td>1°</td></tr> </table>		0 PLC	±	-	1 PLC	±	-	2 PLC	±	.010	3 PLC	±	.005	4 PLC	±	-	ANGLES	±	1°	PRODUCT SPEC -	SIZE A2
0 PLC	±	-																			
1 PLC	±	-																			
2 PLC	±	.010																			
3 PLC	±	.005																			
4 PLC	±	-																			
ANGLES	±	1°																			
MATERIAL SEE NOTE		FINISH SEE NOTE	CAGE CODE 00779																		
		WEIGHT -	DRAWING NO C=1589426																		
		CUSTOMER DRAWING	RESTRICTED TO -																		
		SCALE 10:1	SHEET 1 OF 1																		
			REV L																		

1589426